



# HM-GRYPHON-IRB01

## IR Torch Bracket

HIKMICRO IR Torch Bracket is designed for installing HIKMICRO IR Torch on the GRYPHON or GRYPHON LRF series thermal monocular.

### Related Products

- IR Torch: HM-L028IR/HM-L029IR/HM-L128IR/HM-L129IR
- GRYPHON & GRYPHON LRF Series: GH25/GH35/GQ35/GH25L/GH35L/GQ35L/GQ50L

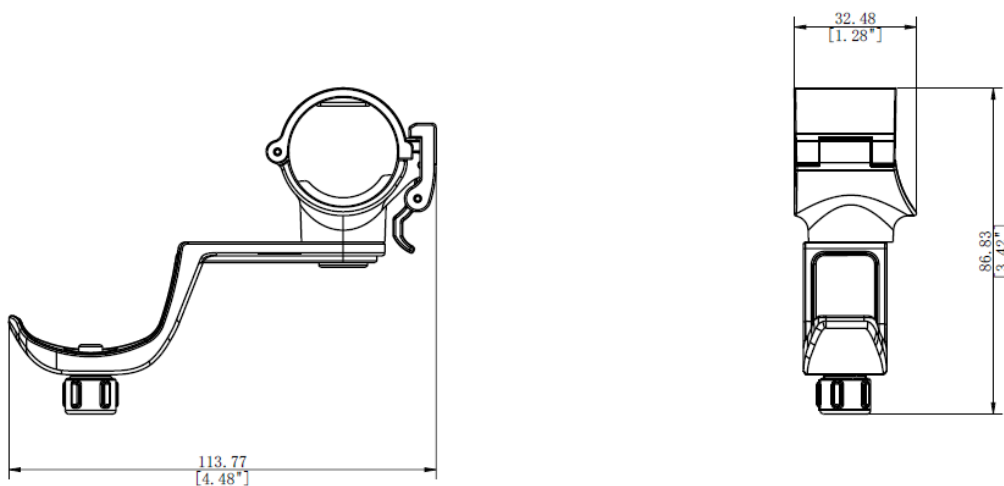
## Specification

GENERAL	
DIMENSION	113.77 mm × 32.48 mm × 86.83 mm
WEIGHT	67 g
SCREW THREAD	UNC 1/4" -20
BODY MATERIAL	Metal & Plastic & Silica
OPERATING TEMPERATURE RANGE	-20°C to 50°C (-4°F to 122°F)

## Available Model

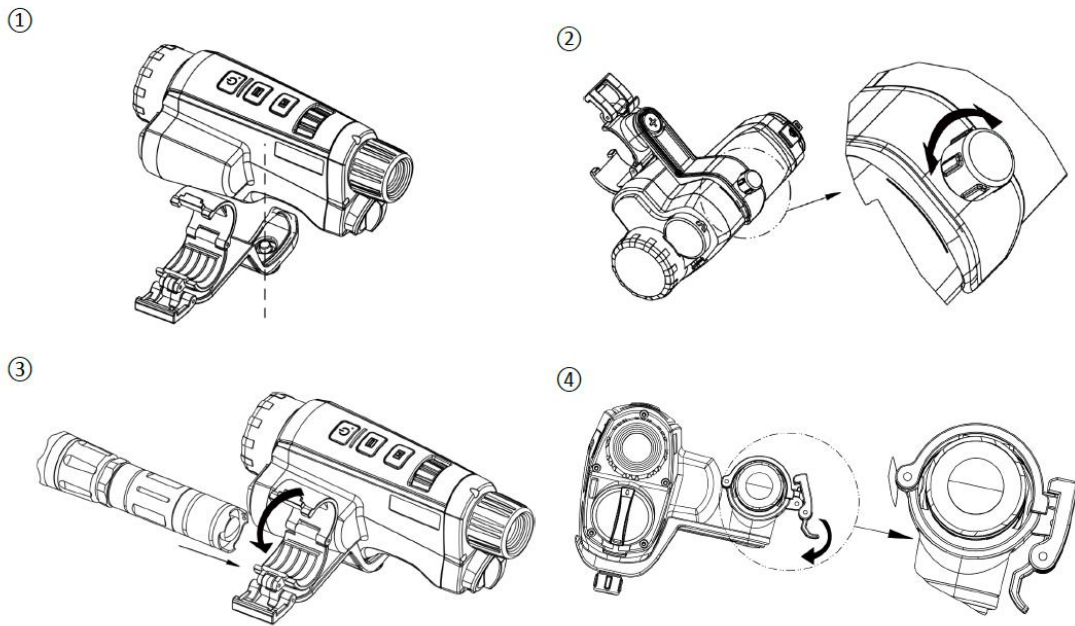
**HM-GRYPHON-IRB01**

## Dimension



Unit: mm

# Installation



Step 1 Align the screws of the bracket with the thread of GRYPHON or GRYPHON LRF.

Step 2 Tighten the screw in a clockwise direction.

Step 3 Place the IR Torch through the bracket.

Step 4 Press the lever to fix the IR Torch.



 HIKMICRO Outdoor  hikmicro\_outdoor  HIKMICRO Outdoor  HIKMICRO  info@hikmicrotech.com  <http://hikmicrotech.com/en>

Room 313, Unit B, Building 2, 399 Danfeng Road, Xixing Subdistrict, Binjiang District, Hangzhou, Zhejiang  
@hangzhou microimage software co.,Ltd .2020 | data subject to change without notice!