



HIKMICRO

HM-L028IR IR Torch



HIKMICRO IR Torch is designed for use with HIKMICRO GRYPHON & GRYPHON LRF series. Infrared Illuminator is completed with additional illumination of the observation objects by infrared rays when using devices in low light conditions or in complete darkness.

Key Features

Identify the observed object more accurate and in detailed.

Related Products

GRYPHON & GRYPHON LRF Series: GH25/GH35/GQ35/GH25L/GH35L/GQ35L

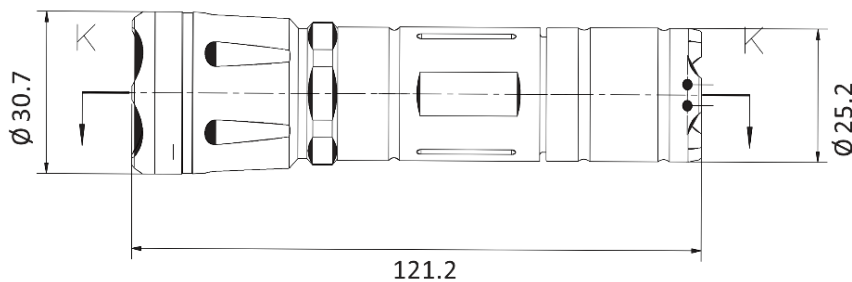
▪ Specification

Power Supply	
Power	By battery
Battery Type	HIKMICRO HM-3633DC
Battery Operating Time	Up to 5.5 h
Capacity	3.35 Ah
General	
Operating Temperature Range	-20°C to 50°C (-4°F to 122°F)
Weight	95 g
Body Material	Metal & Plastic
Dimension	121.2 mm × 30.7 mm × 25.2 mm (4.8" × 1.2" × 1.0")
Infrared Illuminator	
Emitter	LED
IR Optical Power	Up to 850 mW
IR Wavelength	850 nm
Irradiation Distance	Up to 200 m
Beam Angle	15°

▪ Available Model

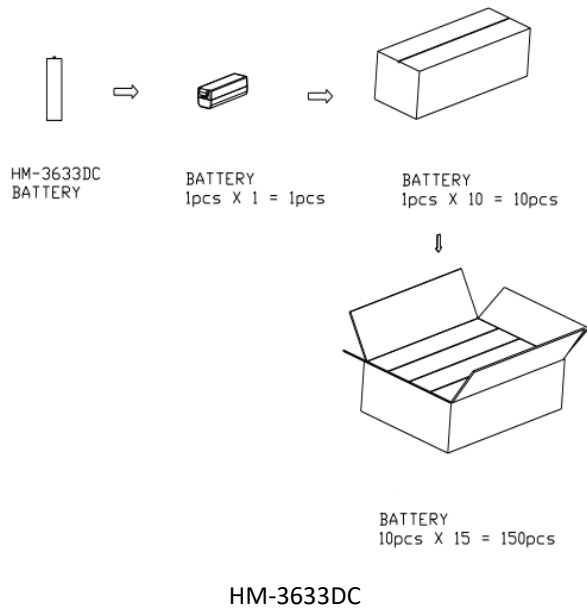
HM-L028IR

▪ Dimension



Unit: mm

▪ Accessory



HM-GRYPHON-IRB01
IR Torch Bracket

COMPLIANCE NOTICE: The thermal series products might be subject to export controls in various countries or regions, including without limitation, the United States, European Union, United Kingdom and/or other member countries of the Wassenaar Arrangement. Please consult your professional legal or compliance expert or local government authorities for any necessary export license requirements if you intend to transfer, export, re-export the thermal series products between different countries.

