



HIKMICRO

THUNDER Pro TE19C Thermal Monocular



HIKMICRO THUNDER Pro TE19C Thermal Monocular has 256 × 192 thermal detector and 1024 × 768 OLED monitor, which provides clear image under harsh environment conditions like darkness, fog, smoke, dust, rain, snow, wood, camouflage, etc. The scope is mainly applied to scenarios such as patrolling, and hunting, etc.

Key Features

- 256 × 192 thermal resolution, high sensitivity detector, NETD < 35 mK (25°C, F# = 1.0)
- Image processing technology: Adaptive AGC, DDE, 3D DNR
- 1024 × 768 resolution 0.39-inch OLED display
- Supports distance measurement, and hotspot function
- Supports video recording and snapshot, built-in EMMC (16 GB)
- Up to 4.5 hours continuous working

Specification

Thermal Module	
Image Sensor	Uncooled Focal Plane Arrays
Max. Resolution	256 × 192
Frame Rate	25 Hz
Pixel Interval	12 μm
Response Waveband	8 μm to 14 μm
NETD	< 35 mK (25°C, F# = 1.0)
Lens (Focal Length)	19 mm
Detection Range	900 m
I FOV	0.63 mrad
Field of View	9.24° × 6.94°
Min. Focusing Distance	1 m
Aperture	F1.0
Magnification	1×
Image Display	
Display	1024 × 768, 0.39 inch, OLED
Palettes	Black hot, white hot, red hot, fusion
Exit Pupil	22 mm
Eye Relief	10 mm
System	
Record Video	On-board video recording
Capture Snapshot	Yes
Standby Mode	Yes
Uniformity Correction	Auto, Manual, External Correction
Storage	Built-in EMMC (16 GB)
PIP	Yes
DPC	Yes
Hotspot	Yes
Hot Track	Yes
Reticle	Yes
Distance Measurement	Yes
Power Supply	
Battery	Replaceable Applicable type: CR123A, RCR123A
Battery Operating Time	4.5 h (25°C, with hotspot off)
Anti-reverse Battery connection	Yes
Overvoltage Protection	Yes
Battery Capacity Display	Yes
Type-C Power Supply	5 VDC, 2 A Supports external power supply

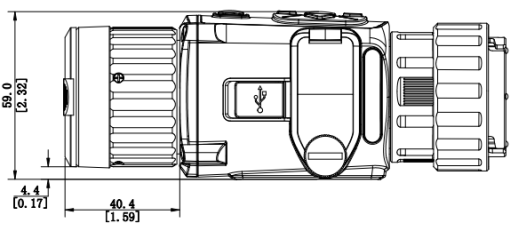
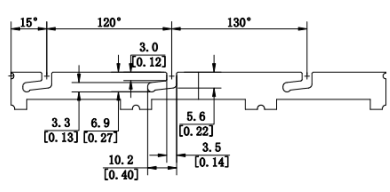
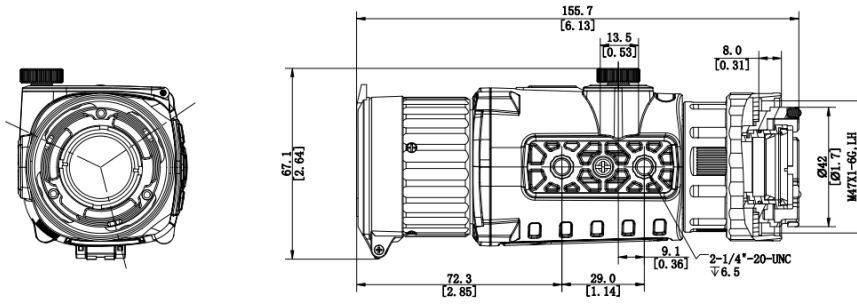
General

Port	Type-C
Work Temperature/Humidity	-20°C to 55°C (-4°F to 131°F)
Protection Level	IP67
Vibration & Shock	750 g/1 ms
Dimension	155.7 mm × 67.1 mm × 59.0 mm
Weight	419 g without eyepiece and batteries

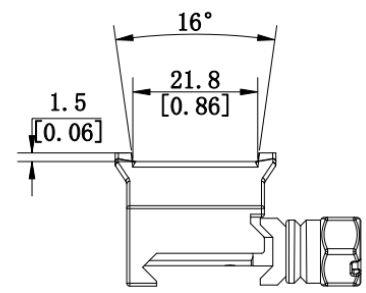
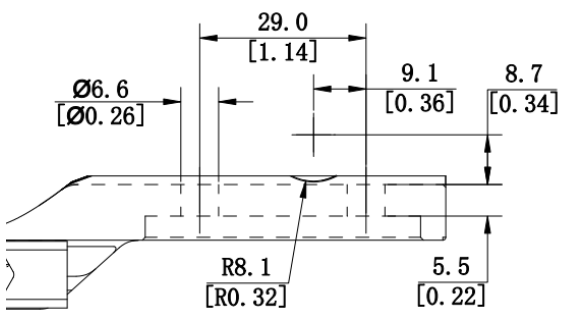
Available Model

HM-TR12-19XG/W-TE19C

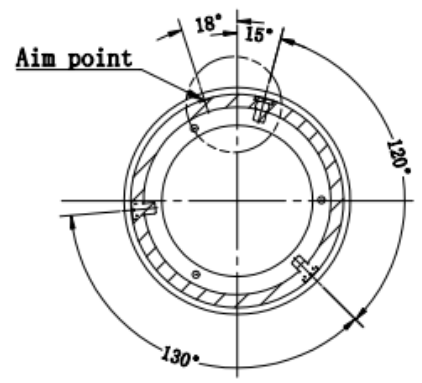
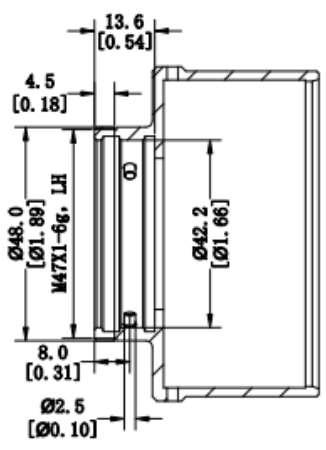
Dimension



Unit:mm[Inch]

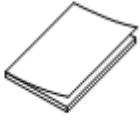


Unit:mm[Inch]



Unit:mm[Inch]

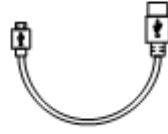
Accessory



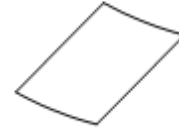
Quick Start Guide
(x1)



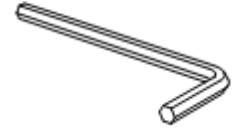
Battery CR123A (x2)



Type-C Cable (x1)



Dust-free Cloth (x1)



Wrench (x1)



Bag (x1)



Tightening Plate
(X1)

Optional



Adapter (x1)



Insert Ring (x5)

COMPLIANCE NOTICE: The thermal series products might be subject to export controls in various countries or regions, including without limitation, the United States, European Union, United Kingdom and/or other member countries of the Wassenaar Arrangement. Please consult your professional legal or compliance expert or local government authorities for any necessary export license requirements if you intend to transfer, export, re-export the thermal series products between different countries.

