



HM-TR16-50XG/W-TQ50C

Thermal Monocular

HIKMICRO THUNDER Pro TQ50C Thermal Monocular has 640 × 512 thermal detector and 1024 × 768 OLED monitor, which provides clear image under harsh environment conditions like darkness, fog, smoke, dust, rain, snow, wood, camouflage, etc. The monocular is mainly applied to scenarios such as patrolling and hunting.

Key Feature

- 640 × 512 thermal resolution, high sensitivity detector, NETD less than 35 mK (25°C, F# = 1.0)
- Image processing technology: Adaptive AGC, DDE, 3D DNR
- 1024 × 768 resolution 0.39-inch OLED display
- Supports distance measurement, and hotspot function
- Supports video recording and snapshot, built-in EMMC (16 GB)
- Supports digital zoom and cursor function, palettes of color adjustable
- Observation Distance up to 2600 m

Specification

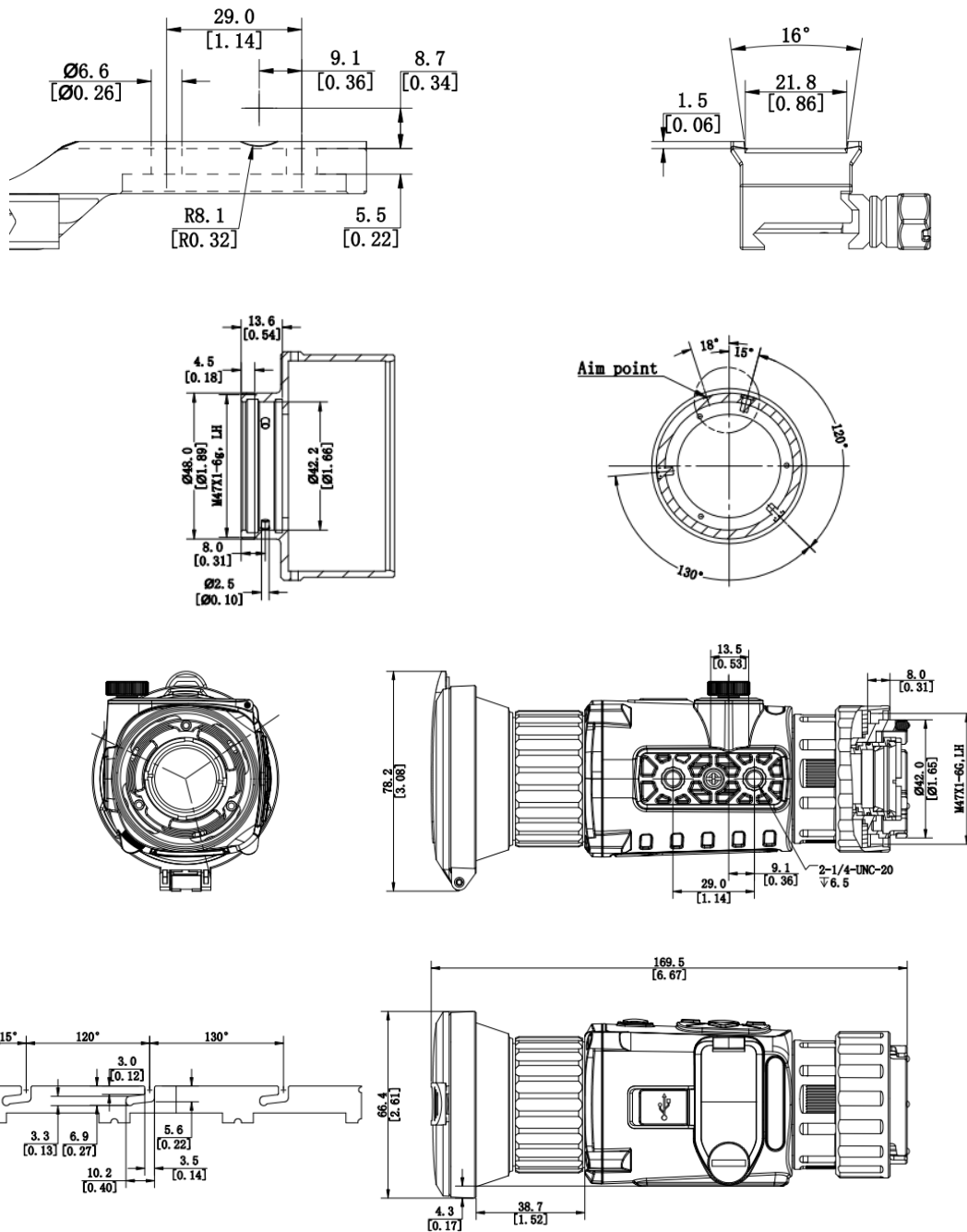
Thermal Module	
Image Sensor	Uncooled Focal Plane Arrays
Max. Resolution	640 × 512
Frame Rate	50 Hz
Pixel Interval	12 μm
Response Waveband	8 μm to 14 μm
NETD	less than 35 mK (25°C, F # = 1.0)
Lens (Focal Length)	50 mm
Detection Range	2600 m
IFOV	0.24 mrad
Field of View	8.78° × 7.03°
Min. Focusing Distance	5 m
Aperture	F1.0
Magnification	1x
Image Display	
Display	1024 × 768, 0.39 inch, OLED
Palettes	Black hot, white hot, red hot, fusion
Exit Pupil	22 mm
Eye Relief	10 mm
System	
Record Video	On-board video recording
Capture Snapshot	Yes
Standby Mode	Yes
Uniformity Correction	Auto, Manual, External Correction
Storage	Built-in EMMC (16 GB)
PIP	Yes
DPC	Yes
Hotspot	Yes
Hot Track	Yes
Reticle	Yes
Distance Measurement	Yes
Power Supply	
Battery Type	Replaceable CR123A (1600 mAh, 3.0 V)
Battery Operating Time	3.75 h (25°C, with hotspot off)
Battery Capacity Display	Yes
Anti-reverse Battery Connection	Yes
Overvoltage Protection	Yes
Type-C Power Supply	5 VDC, 2 A Supports external power supply
General	
Work Temperature/Humidity	-20°C to 55°C (-4°F to 131°F)
Protection Level	IP67

Vibration & Shock	750 g/1 ms
Dimension	169.5 mm × 78.2 mm × 66.4 mm
Weight	495 g without eyepiece and batteries
Port	Type-C

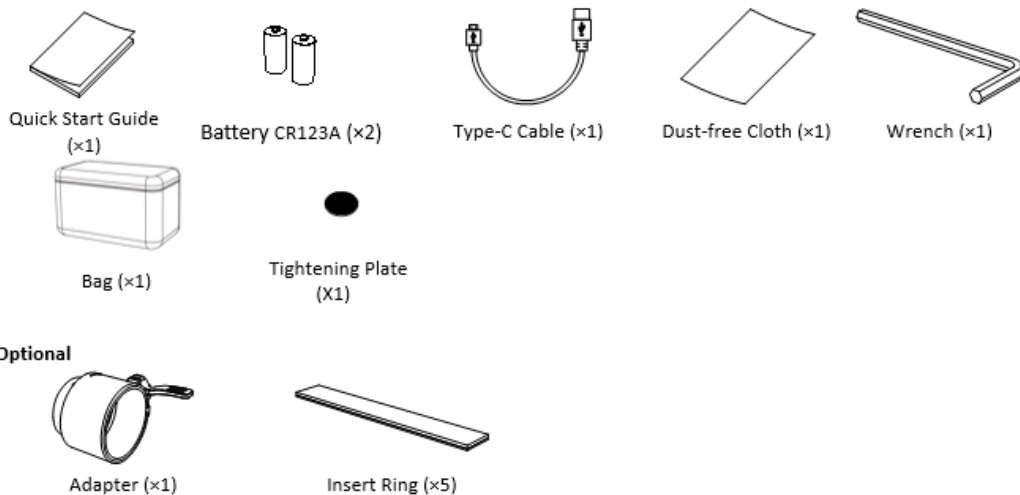
• Available Model

HM-TR16-50XG/W-TQ50C

• Dimension



▪ Accessories



COMPLIANCE NOTICE: The thermal series products might be subject to export controls in various countries or regions, including without limitation, the United States, European Union, United Kingdom and/or other member countries of the Wassenaar Arrangement. Please consult your professional legal or compliance expert or local government authorities for any necessary export license requirements if you intend to transfer, export, re-export the thermal series products between different countries.



HIKMICRO SIGHT



HIKMICRO Outdoor hikmicro_outdoor HIKMICRO Outdoor HIKMICRO info@hikmicrotech.com <http://hikmicrotech.com/en>

Room 313, Unit B, Building 2, 399 Danfeng Road, Xixing Subdistrict, Binjiang District, Hangzhou, Zhejiang
@hangzhou microimage software co.,Ltd .2020 | data subject to change without notice!