

# CHEETAH C32F-SN

## Digital Night Vision Scope



HIKMICRO Cheetah C32F-SN Digital Night Vision Scope performs well under any lighting condition. It has an advanced 2560 × 1440 HD sensor and 1920 × 1080 OLED display, which can capture any object in great detail and with rich clarity. Featuring a specific optical component, it can detect more IR information in fog.

### Key Features

- 2560 × 1440 high-definition sensor
- 1920 × 1080 resolution 0.49" OLED display
- Supports Day/Night/Auto/Defog mode
- Built-in adjustable IR emitter
- Supports audio recording and recoil-activation recording
- Support video recording and snapshot, built-in eMMC (64 GB)
- Detection range up to 350 m
- Replaceable and rechargeable battery

## Specification

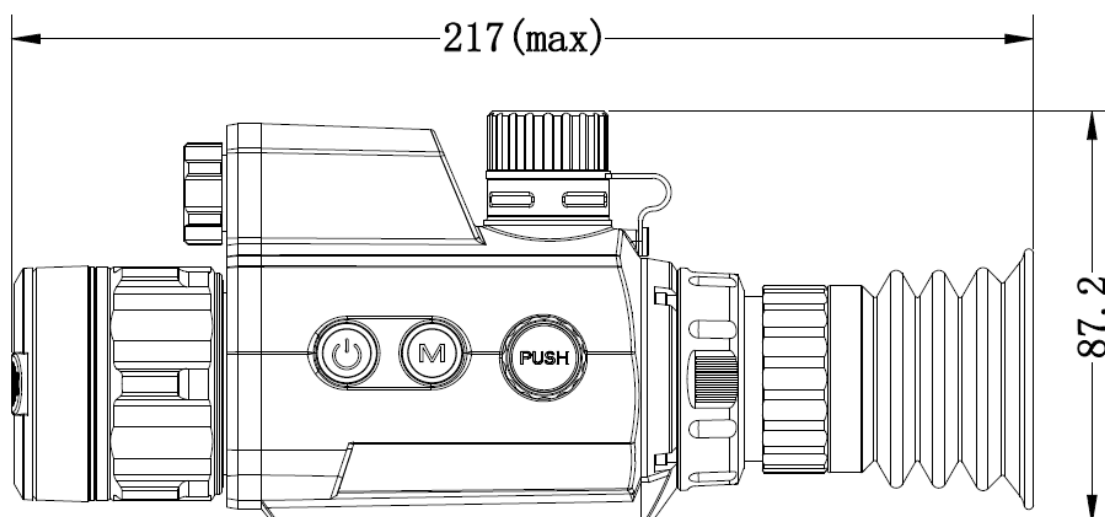
MAIN	
MAX. RESOLUTION	2560 × 1440
LENS (FOCAL LENGTH)	32 mm
FIELD OF VIEW	8.1° × 6.1°
MIN. FOCUSING DISTANCE	3 m
FRAME RATE	25 Hz
APERTURE	F1.2
MAGNIFICATION	2.7×
DETECTION RANGE	350 m (with IR 940 nm ON)
IMAGE DISPLAY	
DISPLAY	1920 × 1080 resolution 0.49" OLED
IMAGE MODE	Day, Night, Auto, Defog
EXIT PUPIL	6 mm
EYE RELIEF	45 mm
DIOPTER (RANGE)	-5 D to 3 D
SYSTEM	
DIGITAL ZOOM	1×, 2×, 4×, 8×
CAPTURE SNAPSHOT	Yes
STANDBY MODE	Yes
RECOIL-ACTIVATION RECORDING	Yes
RETICLE	Yes
RECORD VIDEO RESOLUTION	Yes
FREEZE ZEROING	Yes
STORAGE	Built-in eMMC (64 GB)
PIP	Yes
AUDIO RECORDING	Yes
MAX. RECOIL	750 g
HOTSPOT	Yes
POWER SUPPLY	
BATTERY TYPE	One Rechargeable Li-ion battery
BATTERY OPERATING TIME	5.5 hours continuous running (@ 25°C, Hotspot, IR Emitter OFF)
OVERVOLTAGE PROTECTION	Yes

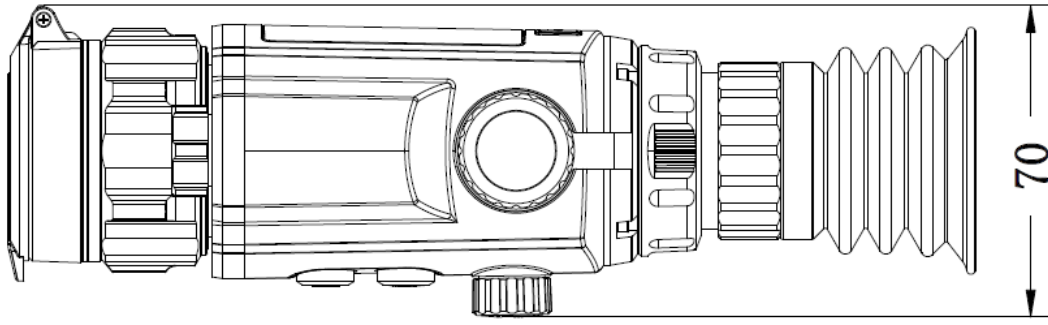
TYPE-C POWER SUPPLY	5 VDC/2 A, USB Type-C interface Supports external power supply
<b>GENERAL</b>	
WORKING TEMPERATURE	-30°C to 55°C (-22°F to 131°F)
DIMENSION	217 mm × 70 mm × 87.2 mm (8.54" × 2.76" × 3.43")
WEIGHT	≤ 465 g without eyepiece and batteries
PROTECTION LEVEL	IP67
<b>LASER RANGEFINDER</b>	
SAFETY CLASS FOR LASER	N/A
WAVE LENGTH	N/A
MAX. MEASURING RANGE	N/A
MEASUREMENT ACCURACY	N/A
MIN. MEASURING RANGE	N/A

## Available Model

**HM-TR2E-32Q/W-C32F-SN**

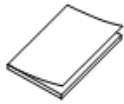
## Dimension





Unit: mm [inch]

## Accessories



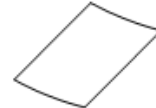
Quick Start Guide (x1)



Battery (x2)



Type-C Cable (x1)



Dust-free Cloth (x1)



Bag (x1)



Battery Charger



 HIKMICRO Outdoor  hikmicro\_outdoor  HIKMICRO Outdoor  HIKMICRO  info@hikmicrotech.com  <http://hikmicrotech.com/en>

room 313, unit B, building 2, 399 danfeng road, xixing subdistrict, binjiang district, hangzhou, zhejiang  
@hangzhou microimage software co., Ltd .2020 | data subject to change without notice!