

CHEETAH C32F

Digital Night Vision Monocular



HIKMICRO Cheetah C32F Digital Night Vision Monocular, which can be easily transformed into a scope, performs well under any lighting condition. Its advanced 2560 × 1440 HD sensor and 1920 × 1080 OLED display are capable of capturing every object in great detail and with rich clarity. Featuring a specific optical component, it can detect more IR information in fog.

Key Features

- 2560 × 1440 high-definition sensor
- 1920 × 1080 resolution 0.49" OLED display
- Supports Day/Night/Auto/Defog mode
- Built-in adjustable IR emitter
- Supports audio recording and recoil-activation recording
- Supports video recording and snapshot, built-in eMMC (64 GB)
- Detection range up to 400 m
- Replaceable and rechargeable battery

Specification

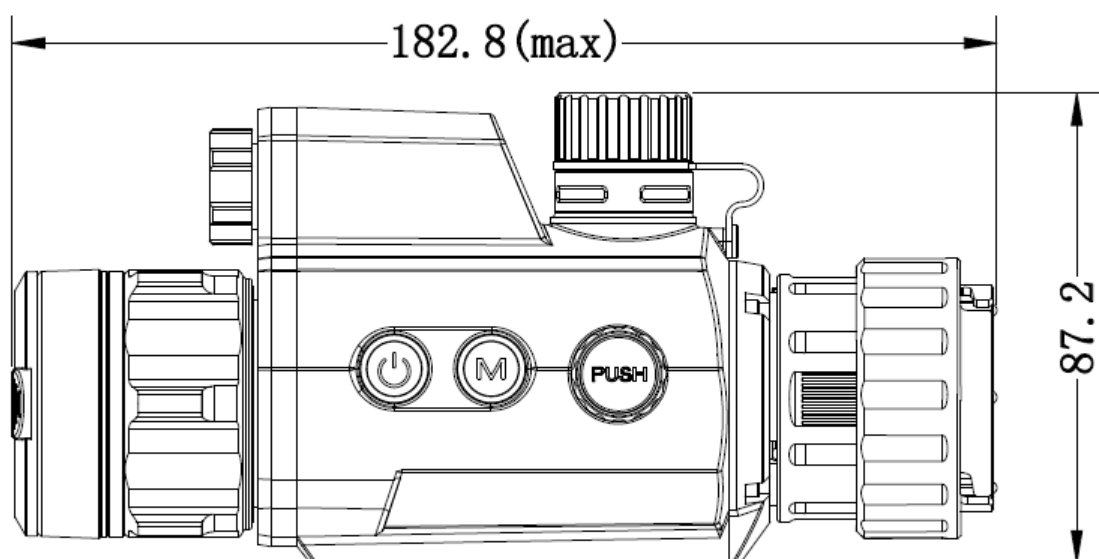
| MAIN | |
|-----------------------------|--|
| MAX. RESOLUTION | 2560 × 1440 |
| LENS (FOCAL LENGTH) | 32 mm |
| FIELD OF VIEW | 9.9° × 7.5° |
| MIN. FOCUSING DISTANCE | 3 m |
| FRAME RATE | 25 Hz |
| APERTURE | F1.2 |
| MAGNIFICATION | 1× |
| DETECTION RANGE | 400 m (with IR 850 nm ON) |
| IMAGE DISPLAY | |
| DISPLAY | 1920 × 1080 resolution 0.49" OLED |
| IMAGE MODE | Day, Night, Auto, Defog |
| EXIT PUPIL | 22 mm |
| EYE RELIEF | 10 mm |
| DIOPTER (RANGE) | N/A |
| SYSTEM | |
| DIGITAL ZOOM | 1× |
| CAPTURE SNAPSHOT | Yes |
| STANDBY MODE | Yes |
| RECOIL-ACTIVATION RECORDING | Yes |
| RETICLE | No |
| RECORD VIDEO RESOLUTION | Yes |
| FREEZE ZEROING | No |
| STORAGE | Built-in eMMC (64 GB) |
| PIP | No |
| AUDIO RECORDING | Yes |
| MAX. RECOIL | 750 g |
| HOTSPOT | Yes |
| POWER SUPPLY | |
| BATTERY TYPE | One Rechargeable Li-ion battery |
| BATTERY OPERATING TIME | 5.5 hours continuous running (@ 25°C, Hotspot, IR Emitter OFF) |
| OVERVOLTAGE PROTECTION | Yes |

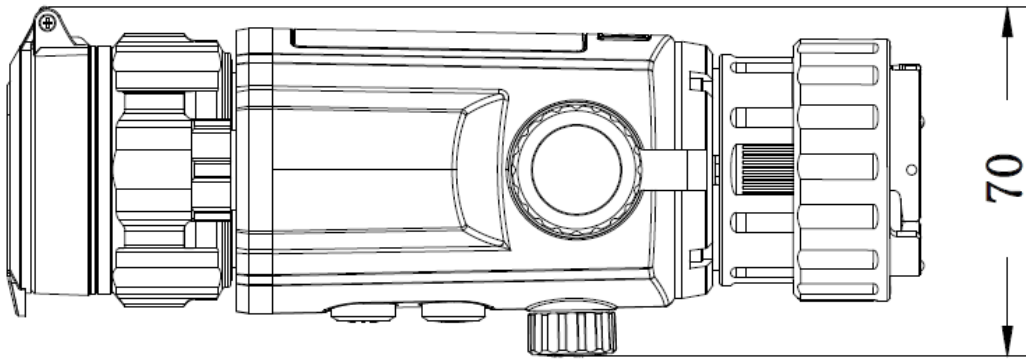
| | |
|--------------------------|---|
| TYPE-C POWER SUPPLY | 5 VDC/2 A, USB Type-C interface Supports external power supply |
| GENERAL | |
| WORKING TEMPERATURE | -30°C to 55°C (-22°F to 131°F) |
| DIMENSION | 182.8 mm × 70 mm × 87.2 mm (7.2" × 2.76" × 3.43") |
| WEIGHT | ≤ 465 g without eyepiece and batteries |
| PROTECTION LEVEL | IP67 |
| LASER RANGEFINDER | |
| SAFETY CLASS FOR LASER | N/A |
| WAVE LENGTH | N/A |
| MAX. MEASURING RANGE | N/A |
| MEASUREMENT ACCURACY | N/A |
| MIN. MEASURING RANGE | N/A |

Available Model

HM-TR2E-32Q/W-C32F

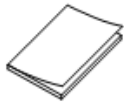
Dimension





Unit: mm [inch]

Accessories



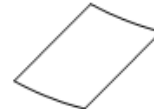
Quick Start Guide (x1)



Battery (x2)



Type-C Cable (x1)



Dust-free Cloth (x1)



Bag (x1)



Battery Charger

Optional Accessories



Adapter (x1)



Insert Ring (x5)



HIKMICRO SIGHT



HIKMICRO Outdoor hikmicro_outdoor HIKMICRO Outdoor HIKMICRO info@hikmicrotech.com <http://hikmicrotech.com/en>

room 313, unit B, building 2, 399 danfeng road, xixing subdistrict, binjiang district, hangzhou, zhejiang
@hangzhou microimage software co., Ltd .2020 | data subject to change without notice!