

# PFI-M60

## Thermal Monocular Camera



- Vanadium oxide uncooled focal plane detector.
- Ultra-low power consumption.
- Fire detection and alarm.
- Connects to the mobile app through Wi-Fi.
- Connects to the external display through the CVBS port.
- Provides a laser for aiming.
- Calculates distance using video analysis.
- Lightweight and portable.
- IP67 rated.

### Series Overview

M60 captures sharp thermal imaging at a fast framerate for smooth, impeccable vision on running targets and from moving vehicles. Designed to increase situational awareness at any time of day, M40 can detect humans, animals, and objects in complete darkness, haze, or through glaring light, equipping law enforcement professionals, hunters, and outdoor enthusiasts with reliable thermal imaging in tough conditions.

### Functions

#### Advanced Image Processing

Designed to be precise, this thermal camera produces vivid video images through its enhanced detector and developed image processing algorithm.

#### Video Ranging

With its hassle-free distance measurement feature, simply mark the top and bottom of a target on the screen, and the interface will automatically display the distance of the target from the monocular.

#### Heat Detection

Heat detection is now available for the first time with this monocular. The monocular can automatically detect heat sources that break out in the scene and track them in real time.

#### Simultaneous Multi-user Connections

Multiple phones can connect to the monocular through the Wi-Fi at the same time. Through the mobile phone, you can watch the live view, capture images, record videos and configure parameters.

#### Diopter Adjustment

By using the diopter adjustment knob, the monocular can be set to match the eyesight of different users, ensuring that each user sees a clear image.

### Laser Eye Protection

The laser pointer is used to indicate a position. To protect the eyes from being injured, the laser pointer is automatically disabled after 10 s.

### Portable and Low Power Consumption

With its small and lightweight design, it functions for longer periods while remaining fully charged, making long-term outdoor use more convenient.

### Scene

Widely used in outdoor scenarios for hunting, rescue, animal observation, and more.

### Technical Specification

#### General

Appearance	Thermal Monocular Camera
Type	Monitor

#### Thermal

Detector Type	Vanadium oxide uncooled focal plane detector
Effective Pixels	640 (H) × 512 (V)
Pixel Pitch	12 μm
Spectral Range	8 μm–14 μm
Sensitivity (NETD)	≤35 mK@f/1.0
Aperture	F1.0
Focal Length	18 mm; 25 mm
Field of View	18 mm: H: 24.0°; V: 19.4° 25 mm: H: 18.0°; V: 13.5°
Focus Control	Fixed-focal

Thermal Close Focus Distance	18 mm: 15 m (49.21 ft) 25 mm: 26 m (85.30 ft)	
Detection Range	18 mm	900 m (2,952.76 ft)
	25 mm	1,240 m (4,068.24 ft)
Thermal Digital Zoom	4 levels	
Color Palettes	4 (white hot; alarm; black hot; iron red)	

## Display

Video Compression	H.265	
Frame Rate	50 Hz	
Display Screen Dimensions	0.4 inch	
Resolution	1280 (H) × 960(V)	
Magnification	18 mm: 1.06 25 mm: 1.47	
Diopter	-4 D to +5 D	

## Function

Storage	Micro SD card (Max. 256 G)	
Laser Aiming	180 m (590.55 ft), Class 2 (IEC 60825-1)	
Buzzer	Yes	

## Intelligence

Fire Detection	Yes	
Cold/Hot Spot Trace	Yes	

## Port

Analog Output	1 × CVBS output	
Wi-Fi Hotspot	Yes	
USB	Micro USB	

## Power

Power Supply	5 VDC, 0.5 A or built-in battery	
Battery Capacity Display	Yes	
Power Consumption	<2.2 W	
Battery Life	>5 h (Wi-Fi hotspot off, @25°C)	
Charging Time	<3 h	

## Environment

Operating Temperature	-20 °C to +55 °C (-4 °F to +131 °F)	
Operating Humidity	≤90%	
Storage Temperature	-20 °C to +60 °C (-4 °F to +140 °F)	

## Physical Characteristics

Protection	IP67	
Product Dimensions	187.5 mm × 66.5 mm × 68.5 mm (7.38" × 2.61" × 2.69") (L × W × H)	

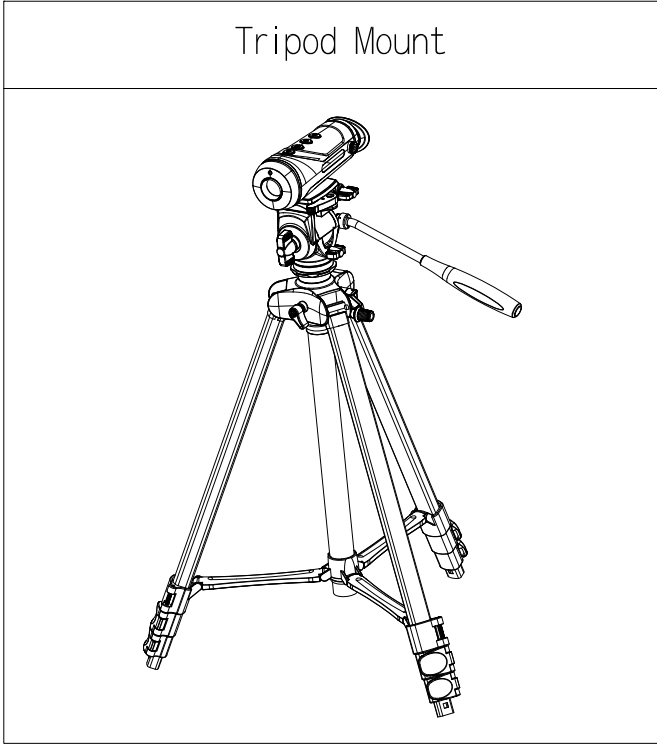
Packaging Dimensions	228 mm × 186 mm × 124 mm (8.97" × 7.32" × 4.88") (L × W × H)	
Net Weight	450 g (0.99 lb)	
Gross Weight	1.1 kg (2.42 lb)	
Installation	Handheld; tripod	
Power Adapter	Included	
Lens	Included	
Bracket	Optional	
Drop Test Height	2 m (6.56 ft)	

## Ordering Information

Type	Model	Description
Thermal Monocular Camera	PFI-M60-B18-Y	Lens: 18 mm; Color: Yellow
	PFI-M60-B25-Y	Lens: 25 mm; Color: Yellow
	PFI-M60-B18-G	Lens: 18 mm; Color: Black
	PFI-M60-B25-G	Lens: 25 mm; Color: Black

Installation

Tripod Mount



Dimensions (mm[inch])

