



THUNDER TH25P 2.0

Thermal Image Scope

HIKMICRO THUNDER TH25P 2.0 Thermal Image Scope has a 384×288 thermal detector and a 1024×768 OLED display. High thermal sensitivity ensures perfect detail recognition even in the hardest weather conditions when the object and background are with minimal temperature difference. With an extended operation time, the scope is mainly applied to scenarios such as hiking, hunting, searching and rescuing.

Key Features

- 384×288 resolution with $12 \mu\text{m}$ sensor
- High sensitivity thermal module $\text{NETD} \leq 20 \text{ mK}$ (25°C , $F\# = 1.0$)
- 1024×768 resolution 0.39-inch OLED display
- Supports image brightness and tone adjustment
- Up to 6.5 hours of continuous operation
- Replaceable and rechargeable Li-ion battery
- Supports audio and recoil-activated recording
- High shock resistance up to $1000 \text{ g}/0.4 \text{ ms}$

Specification

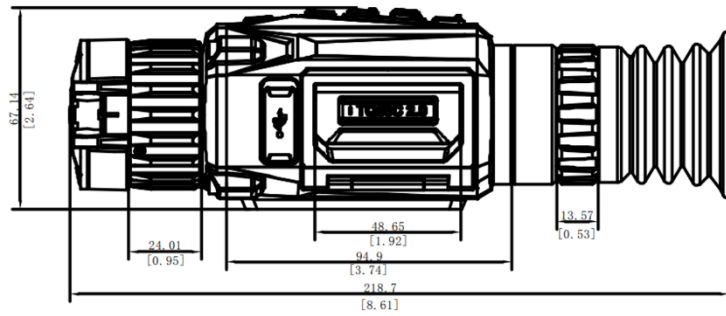
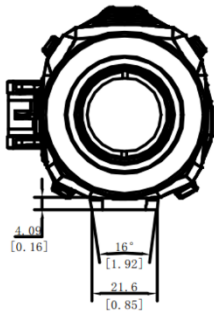
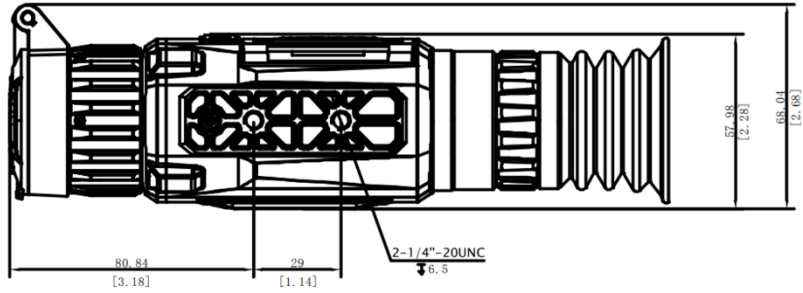
| THERMAL MODULE | |
|---|---------------------------------------|
| IMAGE SENSOR | Uncooled Focal Plane Arrays |
| MAX. RESOLUTION | 384 × 288 |
| FRAME RATE | 50 Hz |
| PIXEL INTERVAL | 12 μm |
| NETD | less than 20 mK (25°C, F# = 1.0) |
| LENS (FOCAL LENGTH) | 25 mm |
| FOCUS KNOB | No |
| DETECTION RANGE | 1200 m |
| MIN. FOCUSING DISTANCE | 0.5 m |
| APERTURE | F1.0 |
| MAGNIFICATION | 1.53 × |
| FIELD OF VIEW(H × V), DEGREES/M @100 M | 10.53° × 7.91°/18.43 m × 13.82 m |
| IMAGE DISPLAY | |
| DISPLAY | 1024 × 768, 0.39 inch, OLED |
| PALETTES | Black hot, white hot, red hot, fusion |
| FFC (FLAT FIELD CORRECTION) MODE | Auto, Manual, External Correction |
| EXIT PUPIL | 6 mm |
| EYE RELIEF | 45 mm |
| DIOPTER (RANGE) | -5 D to 5 D |
| BRIGHTNESS ADJUSTMENT | Yes |
| TONE ADJUSTMENT | Cold, Warm |
| SYSTEM | |
| RECORD VIDEO | On-board video recording |
| CAPTURE SNAPSHOT | Yes |
| DIGITAL ZOOM | 1x, 2x, 4x, 8x |
| STANDBY MODE | Yes |
| STORAGE | Built-in EMMC (16 GB) |
| PIP | Yes |
| DPC | Yes |

| | |
|-----------------------------|--|
| HOTSPOT | Yes |
| HOT TRACK | Yes |
| DISTANCE MEASUREMENT | Yes |
| RECOIL-ACTIVATION RECORDING | Yes |
| AUDIO RECORDING | Yes |
| MAX. RECOIL | 1000 g/0.4 ms |
| POWER SUPPLY | |
| BATTERY TYPE | Replaceable and Rechargeable Li-ion Battery |
| BATTERY OPERATING TIME | ≥ 6.5 h (25°C, with hotspot off) |
| TYPE-C POWER SUPPLY | 5 VDC, 2 A Supports external power supply |
| GENERAL | |
| PROTECTION LEVEL | IP67 |
| DIMENSION | 218.7 mm × 67.14 mm × 68.04 mm |
| WEIGHT | 488 g without battery |
| WORKING TEMPERATURE | -30°C to +55°C (-22°F to 131°F) |

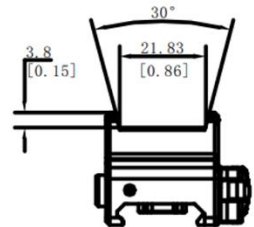
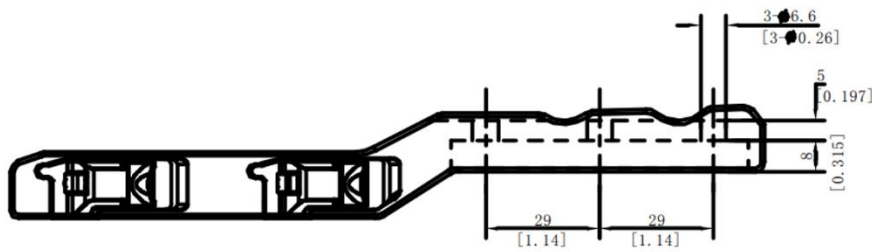
Available Model

HM-TR53-25S1G/W-TH25P 2.0

Dimension

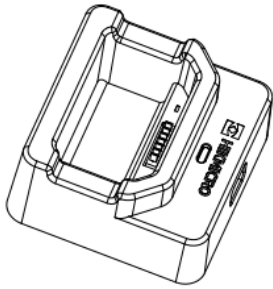


Unit: mm [Inch]

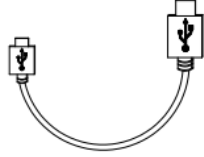


Unit: mm

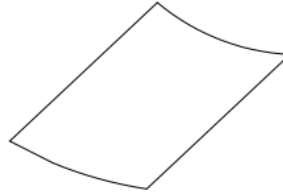
Accessories



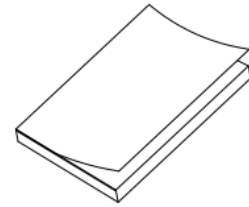
Battery Charger (x1)



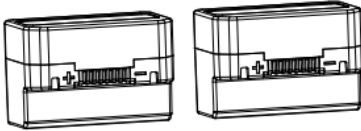
Type-C Cable (x1)



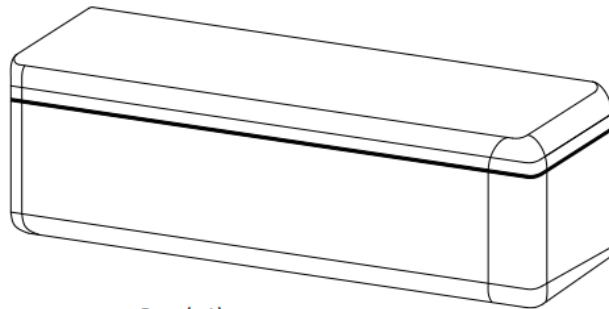
Lint-free Cloth (x1)



Quick Start Guide (x1)



Battery (x2)



Bag (x1)

COMPLIANCE NOTICE: The thermal series products might be subject to export controls in various countries or regions, including without limitation, the United States, European Union, United Kingdom and/or other member countries of the Wassenaar Arrangement. Please consult your professional legal or compliance expert or local government authorities for any necessary export license requirements if you intend to transfer, export, re-export the thermal series products between different countries.



HIKMICRO SIGHT



HIKMICRO Outdoor hikmicro_outdoor HIKMICRO Outdoor HIKMICRO info@hikmicrotech.com <http://hikmicrotech.com/en>

Room 313, Unit B, Building 2, 399 Danfeng Road, Xixing Subdistrict, Binjiang District, Hangzhou, Zhejiang
@hangzhou microimage software co.,Ltd .2020 | data subject to change without notice!